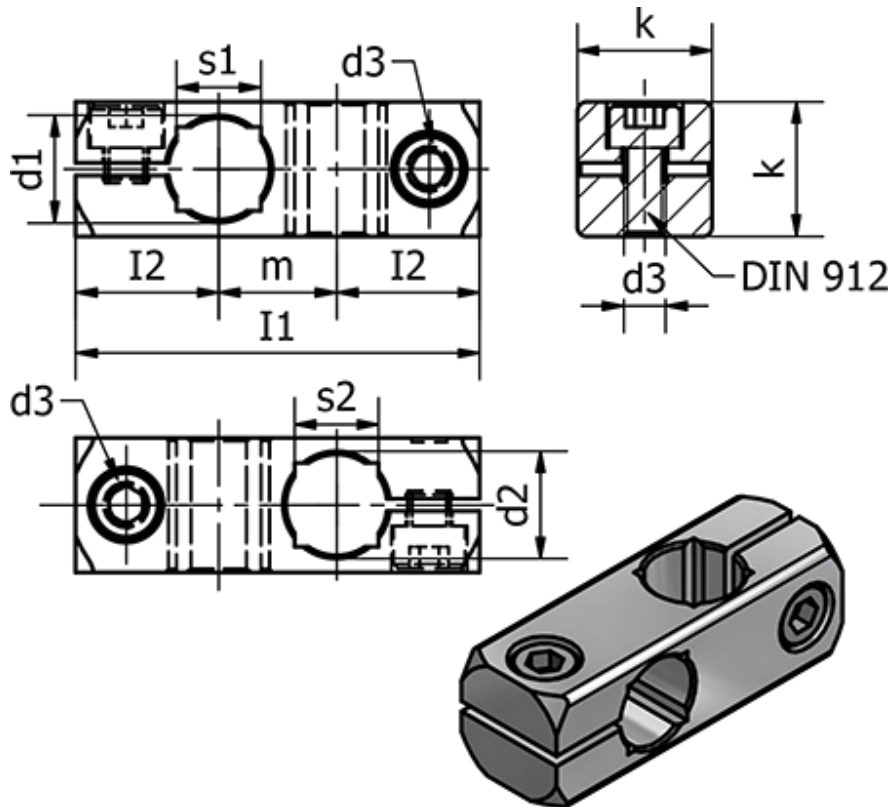


Article number: 20474B15B12MT

Description: E+G Two-way clamp mounting - GN 474-B15-B12-MT

Measures



Clamping kit for d3 = GN 511-M6-20	s1	= 12	
d1 h11	= 15	s2	= 10
d2 h11	= 12	Weight (g)	= 47
d3	= 6		
I1	= 58		
I2	= 20.5		
k	= 25		
m	= 17		